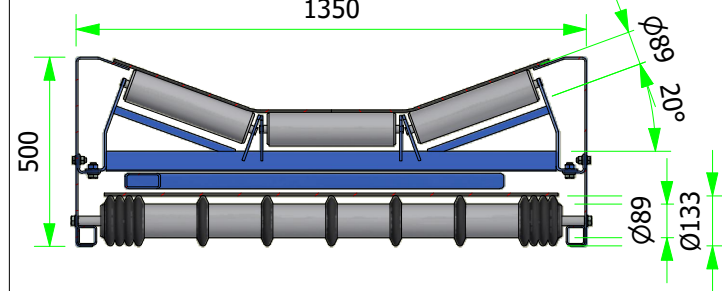
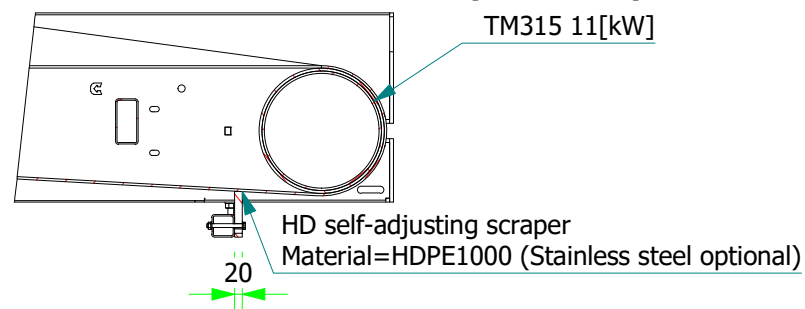


**DOORSNEDE A-A ( 1 : 20 )**



**DOORSNEDE B-B ( 1 : 20 )**



**Specs**

- Mass Capacity 1000[ton/hr] (calculated with wet sand)
- Volume Capacity 640[m<sup>3</sup>/hr] (Product specific, calculated with wet sand)
- Drummotor power 11[kW] (Y-Δ Circuit)
- Electric box Steel (coated)
- Conveyor length 13.0[m]
- Conveyor width 1,2[m]
- Belt speed 2,0[m/s]
- Belt type 250/2 3+1,5 (400/3 4+2 Optional)
- Rollers 20° V-shape carrier rollers (Plastic, Steel rollers optional)
- Transport 3pcs complete on one semi trailer  
5pcs partly disassembled in one 45ft High cube container



Benaming:		<b>LINK CONVEYOR</b>		
Opmerking:		Type EB 13-120 BL		
Get.:	1 : 50 A3	Ordernummer:		
Datum:		<b>222574</b>	Opdrachtgever:	Tekeningnummer:
22 0803-000.idw				<b>22 0803-000</b>
				Rev.: